

*Wherever you want!*  
*Be Flexible with you!*



## Key Features

- A. Various Display
- B. Various Intel CPU
- C. Extended IO Support
- D. Box PC type & Wall mount Support
- E. Easy Installation and Maintenance
- F. Specifications

## A. Various Display

- 10.1"
- 15"(4:3)
- 15.6"
- 18.5"

## A-1. Customer Display

- 2 line LCD
- 9.7"
- 10.1"(touch)
- 15"(touch)



## B. Various Intel CPU

- 4<sup>th</sup> Celeron J1900
- 7<sup>th</sup> Core i3 7100u
- 7<sup>th</sup> Core i5 7200u

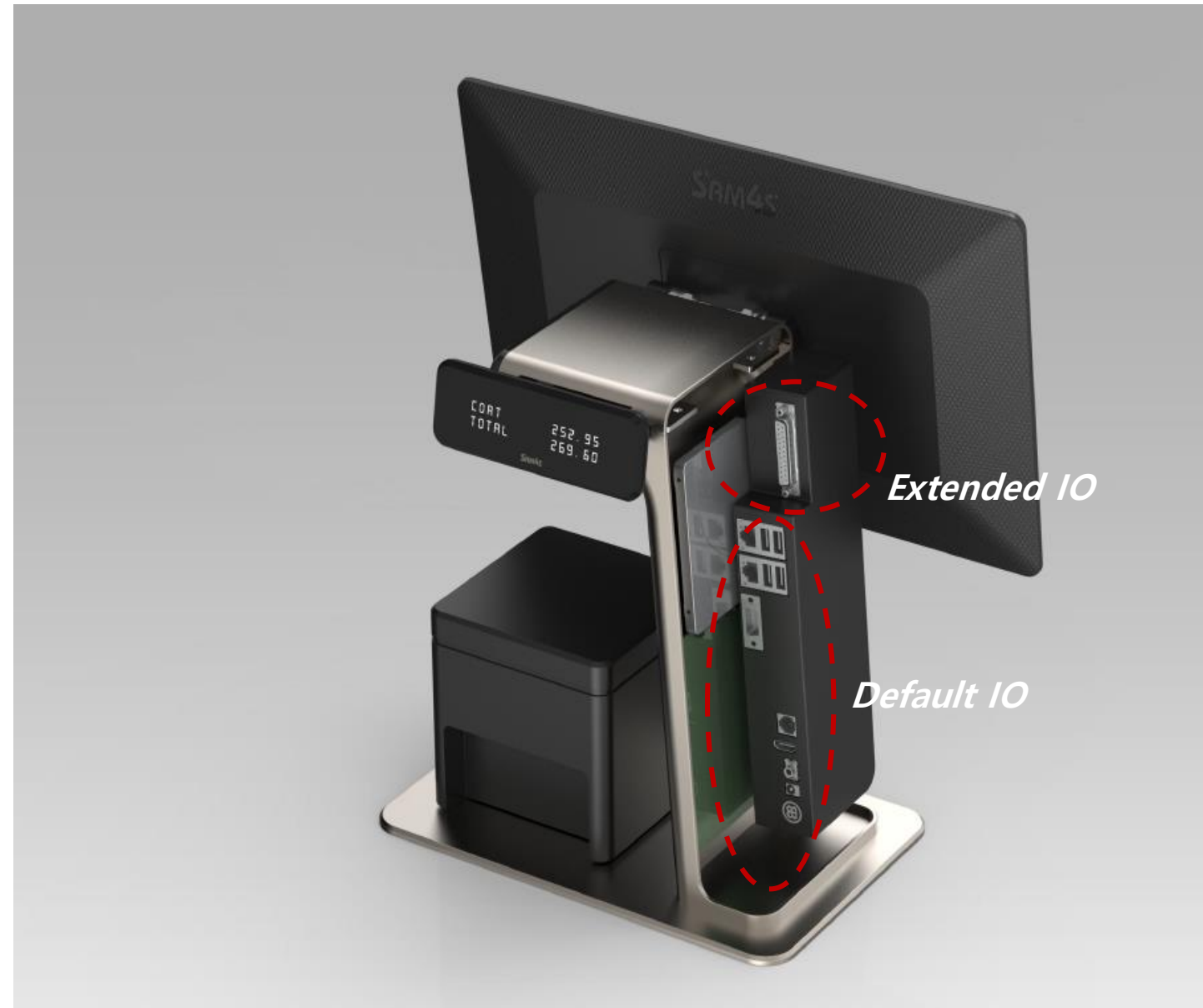


## C. Extended IO Support

- Type A : usb 4
- Type B : serial 2(RS232&rj45)
- Type C : parallel 1

\* Default IO

: usb 6, serial 4, vga 1, lan 1, drawer 1, audio 1  
(core board has 2 vga interface)



## D. Box PC type Support

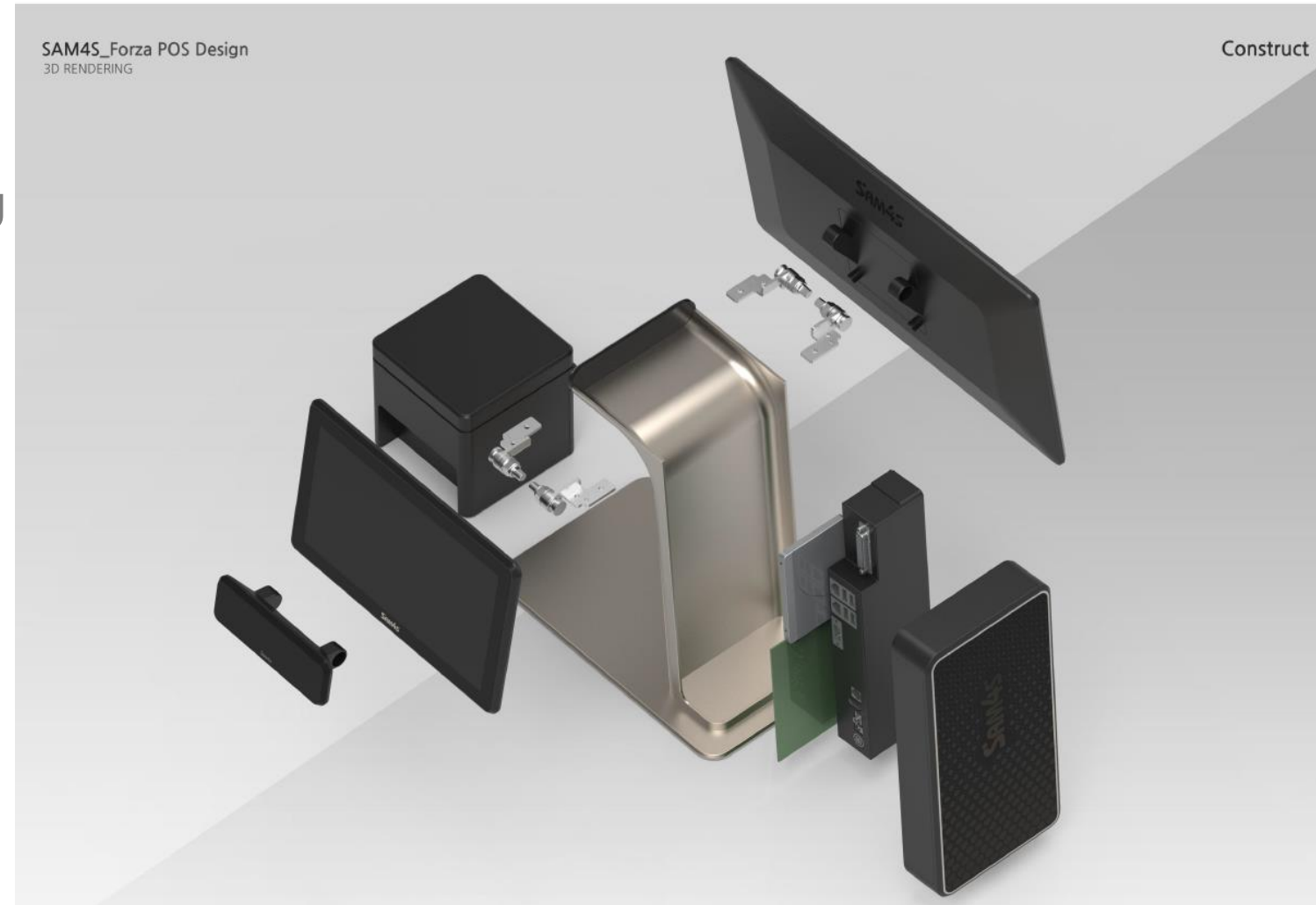


## D. Wall Mount Support



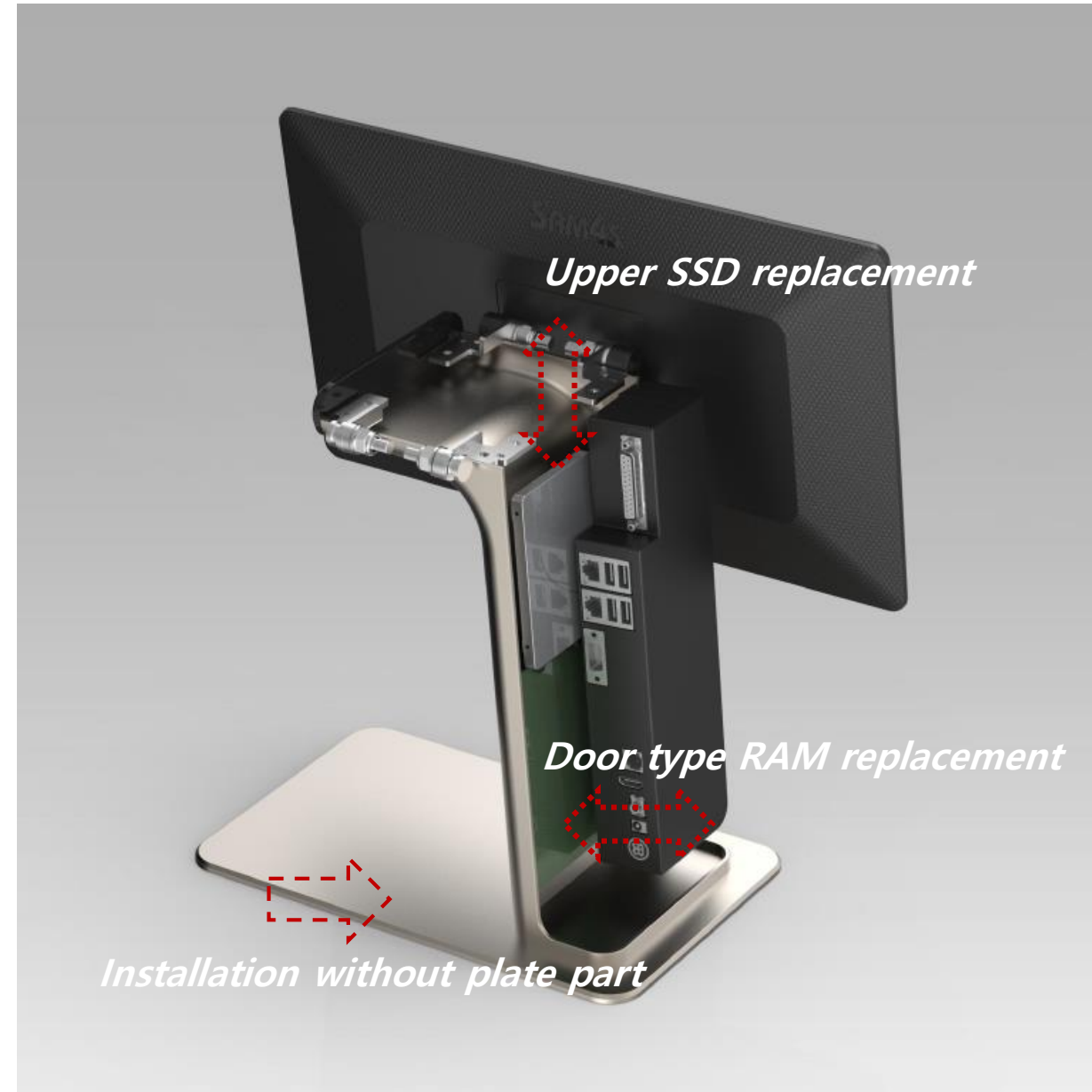
## E. Easy Installation and Maintenance

- Installation : Assembly, Cable fixing
- Maintenance : SSD, RAM



## E. Easy Installation and Maintenance

- Installation : Assembly, Cable fixing
- Maintenance : SSD, RAM





## F. Specification

		FORZA - Low/middle	FORZA - High end
System	CPU :	4th Bay Trail Celeron J1900	7th Kabylake i3 7100u, i5 7200u
	Storage :	2.5" SSD 64GB(default)	2.5" SSD 64GB(default) * RAID supported( or wi-Fi option)
	RAM :	4GB(default), 1 x slot	4GB(default), 2 x slot
Display	Front Display :	15inch (1024x768) / 250cd	15inch (1024x768) / 250cd
	Touch :	PCAP	PCAP
Port	I/O :	USB 6, Serial 4(d-sub 9pin x 3, rj45 x 1), LAN 1, Drawer 1, Video 1(DP 1)	USB 6, Serial 4(d-sub 9pin x 3, rj45 x 1), LAN 1, Drawer 1, Video 2(DP 1, HDMI 1)
	Audio :	Port(Line-out) x 1 + Internal Speaker(2.0W) x 1	Port(Line-out) x 1 + Internal Speaker(2.0W) x 1
Option	Front Display	10.1", 15.6", 18.5", None(Box)	
	CDP	2Line LCD 9.7"(4:3) 10.1", 10.1"Touch 15", 15"Touch	
	Extended IO(choose 1)	Type A : USB x 4 Type B : Dsub x 1, serial x 1(RJ45) Type C : Parallel x 1	
	Payment/ID	MSR, MSR/IC MSR/IC/Finger MSR/IC/Dallas key Dallas key, Finger PRT	
	Wall mount	10.1", 15", 15.6", 18.5"	
	OS	PR7, Win 10	Win10

## 2. Gcube



### Key Features

#### A. Front & Top Feeding

- 250mm/s Printing Speed
- Resolution 203 dpi & 180 dpi

#### B. Color Variation

#### C. Wi-Fi&BT, NFC support

#### D. Convenience

#### E. Specifications

#### F. Development Schedule

## 2. Gcube

### A. Front & Top feeding

- 250mm/sec
- 203 /180 dpi



### B. Color Variation

*Forza collaboration*



## B. Color Variation



## C. Wi-Fi&BT, NFC Support

Built in Module

Mfi Certificated(BT)



<Gcube Application>

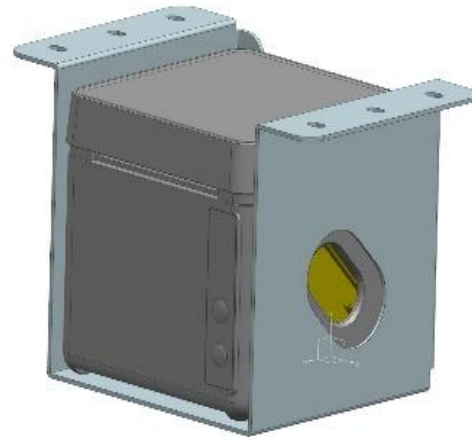


## D. Convenience

<Wall mount Kit>



<Under-shelf Kit>



<Seven Led 모듈>



<Tool-less>



## E. Specifications

Model	Gcube	Giant
SIZE(WxDxH)	123mm x 123mm x 123mm	131mm x 155mm x 133mm
Feeding Direction	TOP/FRONT	TOP
Speed	250mm/s	250mm/s
DPI	203dpi/emulated 180dpi	180dpi / 203dpi(different model)
Printing Size	3inch	3inch
TPH	150Km	150Km
CUTTER	150 M Cuts	150M Cuts
Cut support	Partial/full cut, Jam free	Only partial cut/Jam free
IF	<ol style="list-style-type: none"> <li>1) USB+Serial(D-sub 9pin or rj45), Domestic</li> <li>2) USB+Serial(D-sub 9pin), Overseas</li> <li>3) USB+Serial(D-sub 9pin)+Ethernet(3Combo)</li> <li>4) USB+Wi-Fi+Ethernet</li> <li>5) USB+Bluetooth+Ethernet</li> </ol>	<ol style="list-style-type: none"> <li>1) USB+Serial(D-sub 9pin + rj45)</li> <li>2) USB+Serial(D-sub 9pin)+Ethernet(3Combo)</li> <li>3) USB+Wi-Fi</li> <li>4) Bluetooth Dongle supported</li> <li>5) USB+Serial(D-sub 25pin)</li> </ol>
Etc.	<ul style="list-style-type: none"> <li>- Seven Segment Memory Switch (Product Status, Setting)</li> <li>- NFC Tag Default</li> </ul>	<ul style="list-style-type: none"> <li>- Dip Switch</li> <li>- Splash Cover</li> <li>- NFC Tag Model</li> <li>- 2"/3" partition(default)</li> </ul>
Option	<ul style="list-style-type: none"> <li>- Wall mount/Under shelf kit</li> <li>- Kitchen Bell</li> <li>- Near End Sensor</li> <li>- 2"/3" Partition</li> </ul>	<ul style="list-style-type: none"> <li>- Wall Mount</li> <li>- Kitchen Bell</li> </ul>
Color	Black/White Matt	Black(Mat, Glossy) / White(Glossy)



# Thanks

---

**신흥정밀 SA사업부**

서울시 금천구 가산디지털1로 168 우림라이온스밸리 C동 911호  
TEL 02-2101-9623 | FAX 02-2101-9690 | E-mail sam4swebmaster@shc.co.kr  
Web Page [www.sam4s.co.kr](http://www.sam4s.co.kr) | Youtube [www.youtube.com/SAM4SKOREA](http://www.youtube.com/SAM4SKOREA)